



**EXPALUM<sup>®</sup>**

**RISMAQ**

**RQ-4400**

---

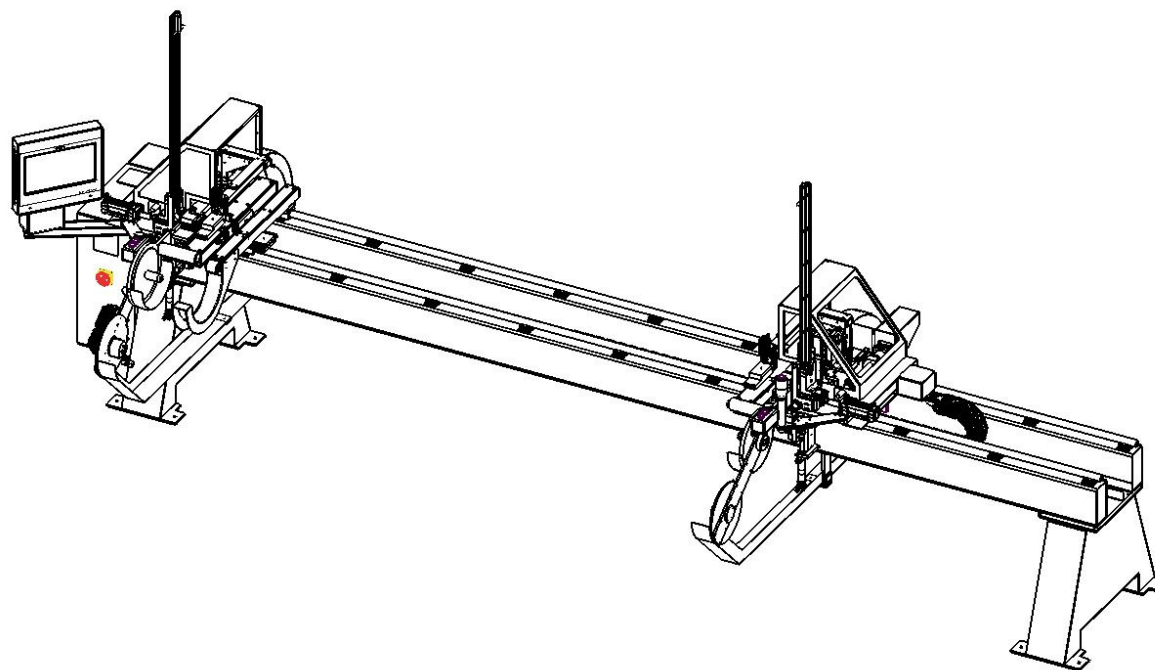
**Roller Shutter Caps Locking  
Machine**

It is designed for the processing of already cut alu. profiles that should be brought together and be locked.

[www.rismaq.com](http://www.rismaq.com)

Technical Drawing

Roller Shutter Caps Locking Machine



Industrial revolution.



English

## Roller Shutter Caps Locking Machine

- ✓ It is designed for the processing of already cut alu. profiles that should be brought together and be locked.
- ✓ Fixing the caps with staples made out of steel
- ✓ It is controlled by MSI all in one pc which has 15.6-inch touch screen.
- ✓ Increase of productivity.
- ✓ Relieves the employees.
- ✓ Production capacity 160 pcs / 8 hours
- ✓ Barcode reader system is optional.
- ✓ It can be adapted to the factory automation.
- ✓ 2 axes servo motor controlled.
- ✓ Remote control service technology.

**Industrial** revolution.



EXPALUM®

RISMAQ

[www.rismaq.com](http://www.rismaq.com)