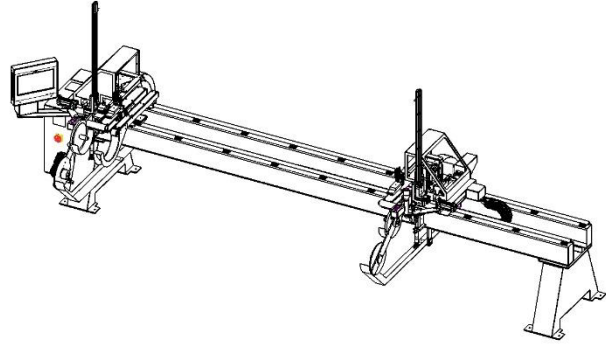


RQ-4400**Roller Shutter Caps Locking Machine**

2 axes servo motor controlled with motion control technology.



Electric Details	400 V	3L-N-PE	50-60 Hz	1 KW
Air Pressure	6-8 Bar			
Machine's Weight	775 Kg			
Machine's Dimensions	Height: 2600 mm Length: 5500 mm Width: 1750 mm			

* For more information about the product and to order: www.rismaq.com